



匯統國際股份有限公司

Huey Tung International Co., Ltd.

# 產品規格書

# Specification

[ Model : HT-NS52120PL8 / 2012.11.19 version ]



**Cara Audio Corporation**

No.69, Lane 762, Dingzhong Road, Sanmin District, Kaohsiung City, Taiwan, ROC.


Tel: 886-7-310 5786 / Fax: 886-7-310 0783

E-mail: [carawang@hueytung.com.tw](mailto:carawang@hueytung.com.tw) / <http://www.hueytung.com.tw>

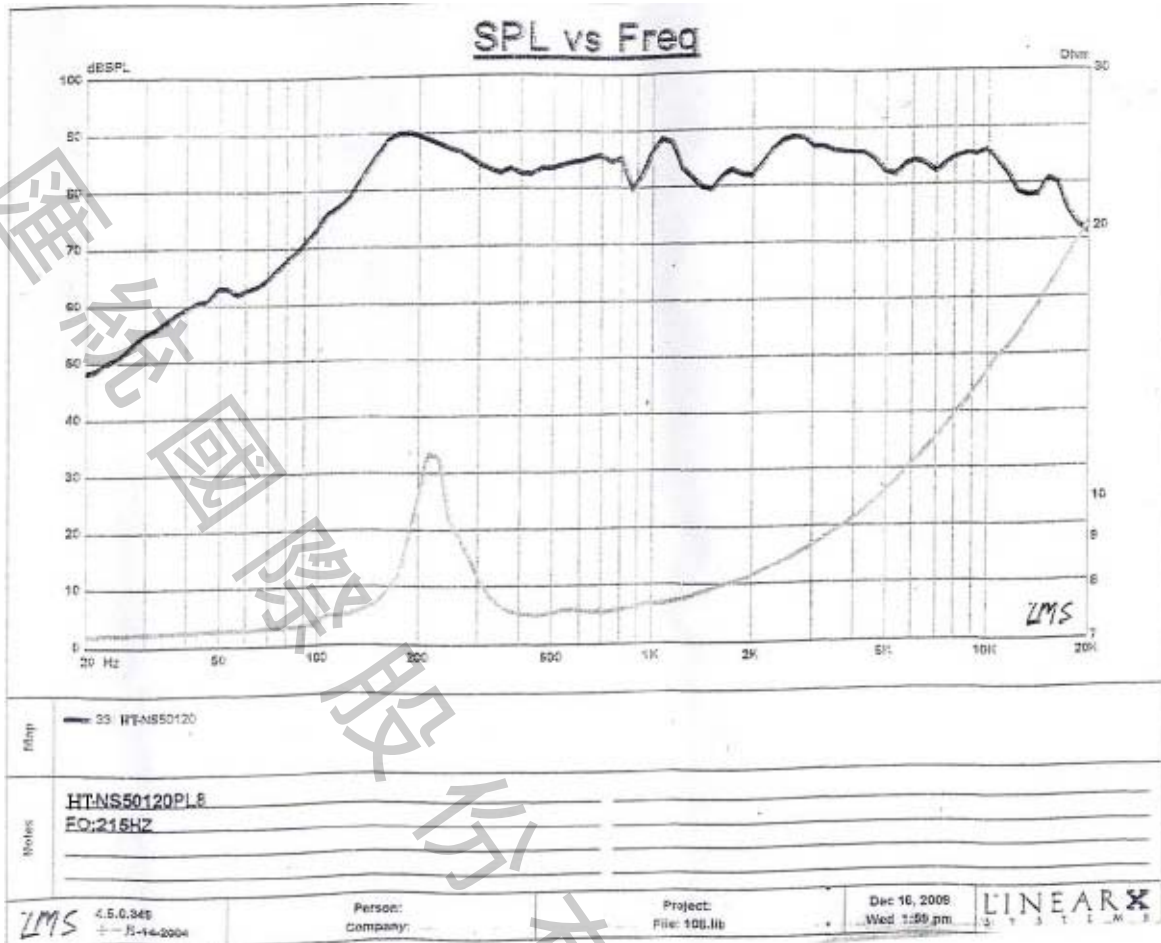
# 揚聲器製品規格書

## SPEAKER SPECIFICATION

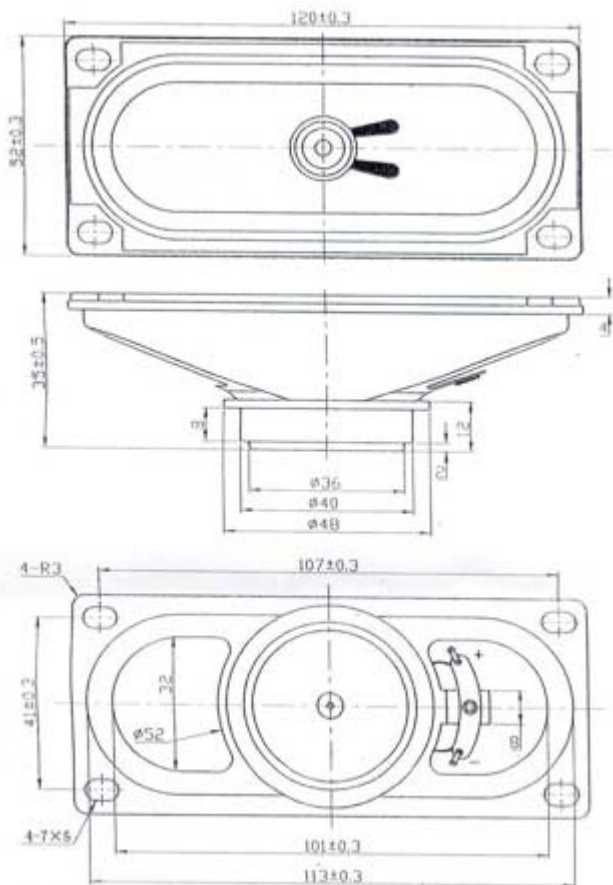
**型號 Model Number:** HT-NS52120PL8 (9149)

項目 Items		規格 Specification			
1	公称阻抗 Nominal Impedance	8Ω±15%			
2	最低共振周波数 Lowest Resonance Frequency	215 Hz±20%Hz Without a baffle			
3	实效周波数带域 Effective Frequency Range	F0~20KHz -10dB			
4	出力音压 Output Sound Pressure Level	84dB±3dB 1W/0.5M at (600,800,1K,1.2K)Hz AVE.			
5	入力 Input	定格入力 Rated input 10W	最大入力 Maximum input 15 W		
6	磁束密度 Flux Density	-----±10% GAUSS			
7	异常音试验电压 Buzz & Rattle Test	Must be normal at sine wave 8.94 V			
8	动作试验电压 Operation Test	Must be normal at program source			
9	极性 Polarity	/			
10	磁石尺寸/重量 Magnet Dimension/Weigh	Magnet:39*22*8 Y30 Sub Magnet:	/G		
11	连续负荷试验 Life Test	IEC-268-5 noise 10 W 96 hours			
12	耐热试验 Heat Resistance	After the Test, Speaker should be meet the Outside and item 7,8			
13	耐湿试验 Humidity Resistance			/	
14	耐寒试验 Cold Resistance			/	
15	落下试验 Drop Test	1M 75°±2°			
16	绝缘耐压试验 Insulation Resistance	Or more 1MΩ 以上			
17	周波数特性 Frequency Response Curve	参照附图 On Other Drawing			
18	失真率 Distortion	/			
19	各部 材质	Cone Paper	Selvage with the pressure side		
		Voice Coil	/		
		Cap	/		
20	总重量 Total Weight	/			
		Size:120*52 試作發行: 2010.08.12	Approve: Arthur	Check: John	Design: LIU

音波曲線 Frequency:HT-NS52120PL8 (9149)



成品圖及照片 Mechanical Dimensions :HT-NS52120PL8 (9149)



Tolerance: ±0.5  
Unit : mm