



匯統國際股份有限公司

Huey Tung International Co., Ltd.

產品規格書

Specification

[Model : HT-C57P8A / 2012.11.23 version]



Cara Audio Corporation

No.69, Lane 762, Dingzhong Road, Sanmin District, Kaohsiung City, Taiwan, ROC.


Tel: 886-7-310 5786 / Fax: 886-7-310 0783

E-mail: carawang@hueytung.com.tw / <http://www.hueytung.com.tw>

揚聲器製品規格書

SPEAKER SPECIFICATION

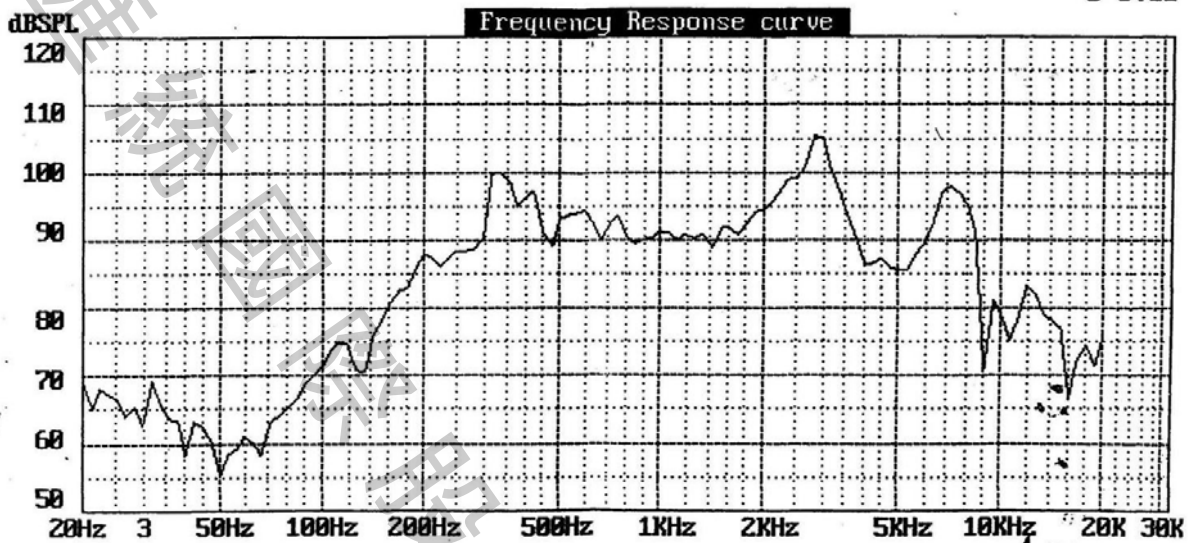
型號 Model Number: HT-57P8A (5106)

項目 Items		規格 Specification		
1	公称阻抗 Nominal Impedance	8Ω±15% at 1000 Hz		
2	最低共振周波数 Lowest Resonance Frequency	350 Hz±20%Hz Without a baffle		
3	实效周波数带域 Effective Frequency Range	F0~20KHz -10dB		
4	出力音压 Output Sound Pressure Level	91dB±3dB 1W/0.5M at (600,800,1K,1.2K)Hz AVE.		
5	入力 Input	定格入力 Rated input 3 W	最大入力 Maximum input 3.5 W	
6	磁束密度 Flux Density	-----±10% GAUSS		
7	异常音试验电压 Buzz & Rattle Test	Must be normal at sine wave 3.46 V		
8	动作试验电压 Operation Test	Must be normal at program source 3.46 V		
9	极性 Polarity	/		
10	磁石尺寸/重量 Magnet Dimension/Weigh	Magnet:32*18*6 Y30 Sub Magnet:	16.5 G	
11	连续负荷试验 Life Test	PINK noise 3 W hours		
12	耐热试验 Heat Resistance	55°C±2°C 24Hours and then room temperature 1 hours		
13	耐湿试验 Humidity Resistance	40°C±2°C 90%RH 24Hours and then room temperature 1 hours		
14	耐寒试验 Cold Resistance	/		
15	落下试验 Drop Test	1M 75°±2°		
16	绝缘耐压试验 Insulation Resistance	Or more 1MΩ 以上		
17	周波数特性 Frequency Response Curve	参照附图 On Other Drawing		
18	失真率 Distortion	10% MAX		
19	各部 材质	Cone Paper	Paper	
		Voice Coil	/	
		Cap	/	
20	总重量 Total Weight	55G		
	Size: 57mm	Approve:	Check:	Design:
	試作發行: 2010.08.12	Arthur	Tang	LIU

音波曲線 Frequency:HT-57P8A(5106)

Firm: Huey Tung Model: HT-C57P8A DATE:05-26-2005 TIME:20:22:23
1000Hz Sens.= 91.2dB SPL Pass F.R.: Pass DCR: 8.58Ω Pass
Average SPL: 91.8dB SPL Pass (600; 800; 1000; 1200Hz) Sweep Speed: 1/12 Oct.

B 6.11



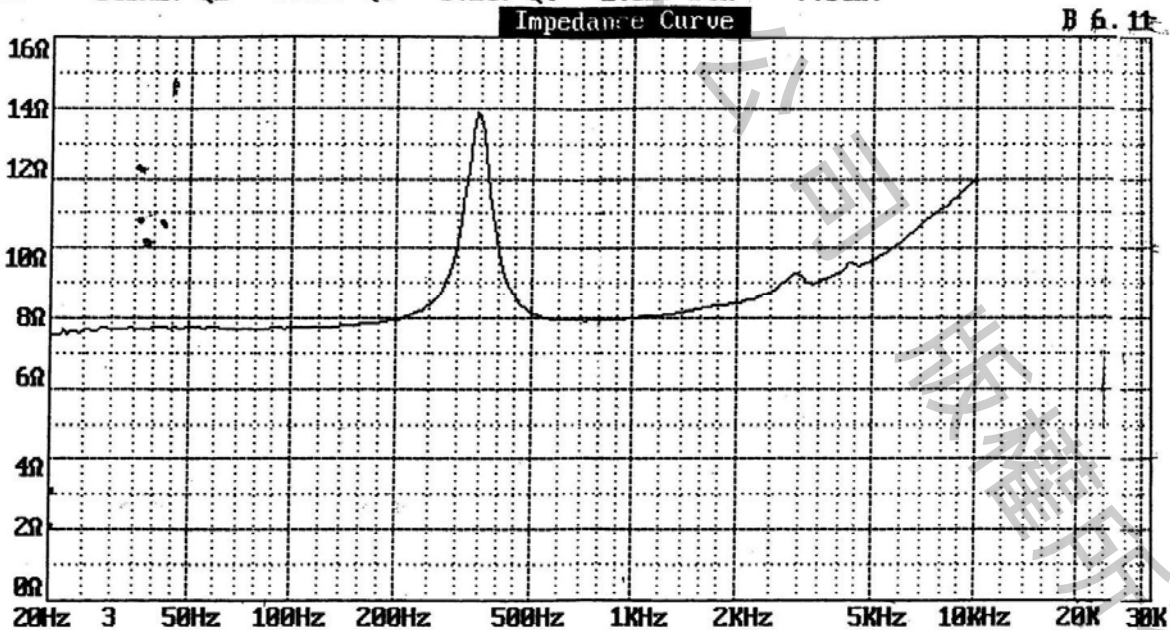
Voltage applied for F.R. = 4.940V Start F. = 20Hz Stop F. = 20000Hz
Measuring Distance = 0.50M

Mfg.:80HM 3W

Measured using Sunlight 1600;

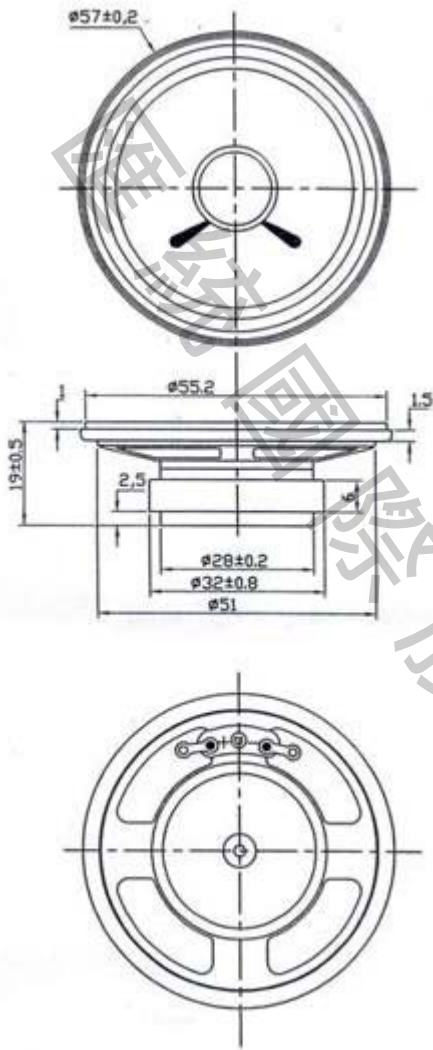
Firm: Huey Tung Model: HT-C57P8 DATE:05-26-2005 TIME:20:23:27
ACV = 1.000V ACZ = 7.99 Ω @ 1000Hz.
Start Freq. = 20Hz Stop Freq. = 10000Hz Sweep Speed: 1/24 Oct.
Fo = 343Hz; Qm = 5.15; Qe = 6.24; Qt = 2.82; DCR = 7.64Ω.

B 6.11



Mfg.:80HM 3W

Measured using Sunlight 1600;



Toerance: ± 0.2
Unit:mm