



匯統國際股份有限公司

Huey Tung International Co., Ltd.

產品規格書

Specification

[Model : HT-8378 / 2012.12.11 version]



Cara Audio Corporation

No.69, Lane 762, Dingzhong Road, Sanmin District, Kaohsiung City, Taiwan, ROC.


Tel: 886-7-310 5786 / Fax: 886-7-310 0783

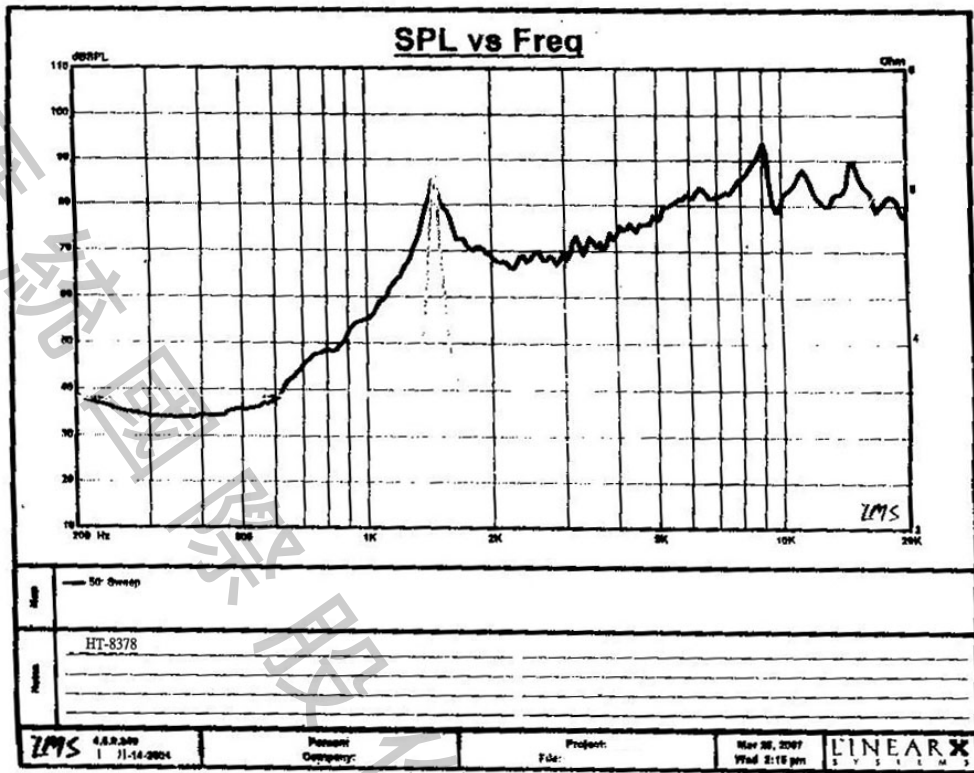
E-mail: carawang@hueytung.com.tw / <http://www.hueytung.com.tw>

揚聲器製品規格書

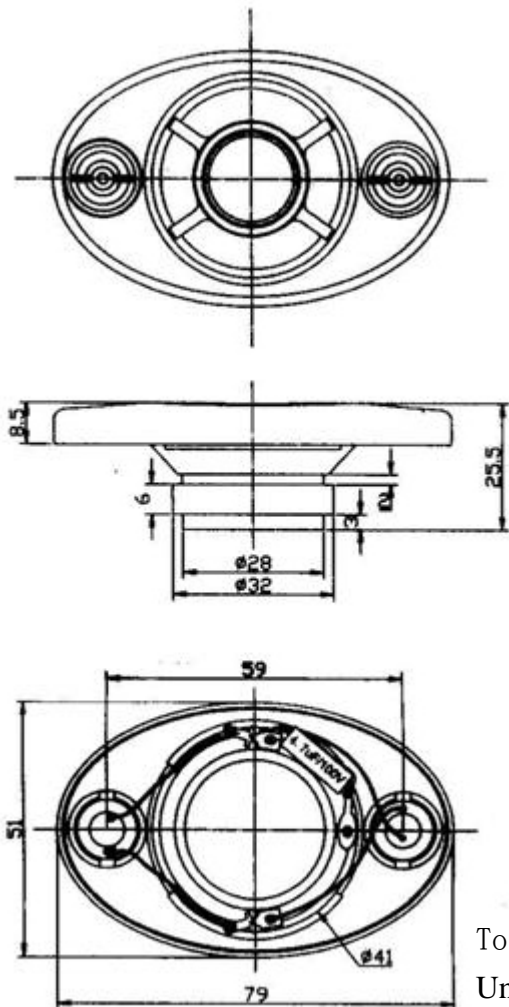
SPEAKER SPECIFICATION

型號 Model Number: HT-8378

項目 Items		規格 Specification			
1	公称阻抗 Nominal Impedance	4Ω±15%			
2	最低共振周波数 Lowest Resonance Frequency	1500 Hz±20%Hz Without a baffle			
3	实效周波数带域 Effective Frequency Range	F0~15KHz -10dB			
4	出力音压 Output Sound Pressure Level	78dB±3dB 1W/1M at (3K,5K,7K,9K)Hz AVE.			
5	入力 Input	定格入力 Rated input 10 W	最大入力 Maximum input 20 W		
6	磁束密度 Flux Density	-----±10% GAUSS			
7	异常音试验电压 Buzz & Rattle Test	Must be normal at sine wave 4.47 V			
8	动作试验电压 Operation Test	Must be normal at program source			
9	极性 Polarity	/			
10	磁石尺寸/重量 Magnet Dimension/Weigh	Magnet:32*18*6 Y30 Sub Magnet:	/G		
11	连续负荷试验 Life Test	Din45573 noise 10 W 96 hours	After the Test, Speaker should be meet the Outside and item 7,8		
12	耐热试验 Heat Resistance	70℃±2℃ 30%-35%RH 8Hours and then room temperature 1 hours			
13	耐湿试验 Humidity Resistance	40℃±2℃ 90%-95%RH 8Hours and then room temperature 1 hours			
14	耐寒试验 Cold Resistance	/			
15	落下试验 Drop Test	1M 75°±2°			
16	绝缘耐压试验 Insulation Resistance	Or more 1MΩ 以上			
17	周波数特性 Frequency Response Curve	参照附图 On Other Drawing			
18	失真率 Distortion	/			
19	各部 材质	Cone Paper	Titanium PEI		
		Voice Coil	/		
		Cap	/		
20	总重量 Total Weight	/			
		Size:79*51 試作發行: 2010.08.10	Approve: Arthur	Check: Tang	Design: LIU



成品圖及照片 Mechanical Dimensions :HT-8378



Toerance: ± 0.5
Unit:mm