



匯統國際股份有限公司

Huey Tung International Co., Ltd.

產品規格書

Specification

[Model : HT-5709 / 2013.3.11 version]



HT-5709



Cara Audio Corporation

No.69, Lane 762, Dingzhong Road, Sanmin District, Kaohsiung City, Taiwan, ROC.


Tel: 886-7-310 5786 / Fax: 886-7-310 0783

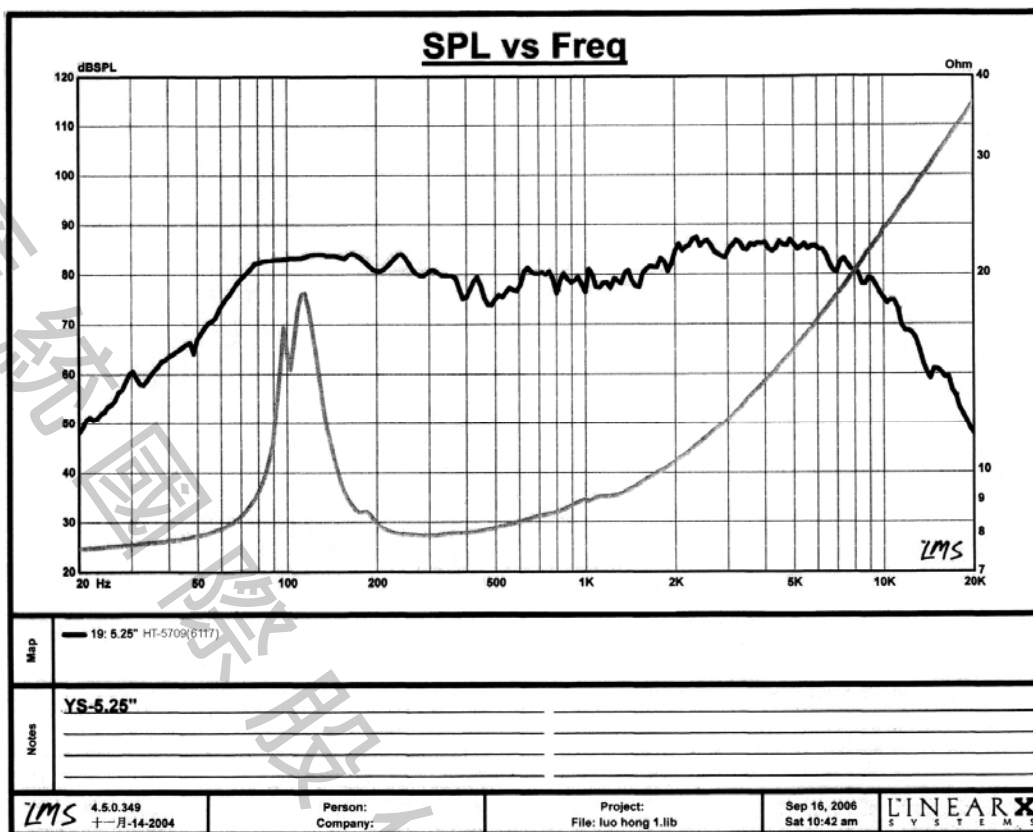
E-mail: carawang@hueytung.com.tw / <http://www.hueytung.com.tw>

揚聲器製品規格書

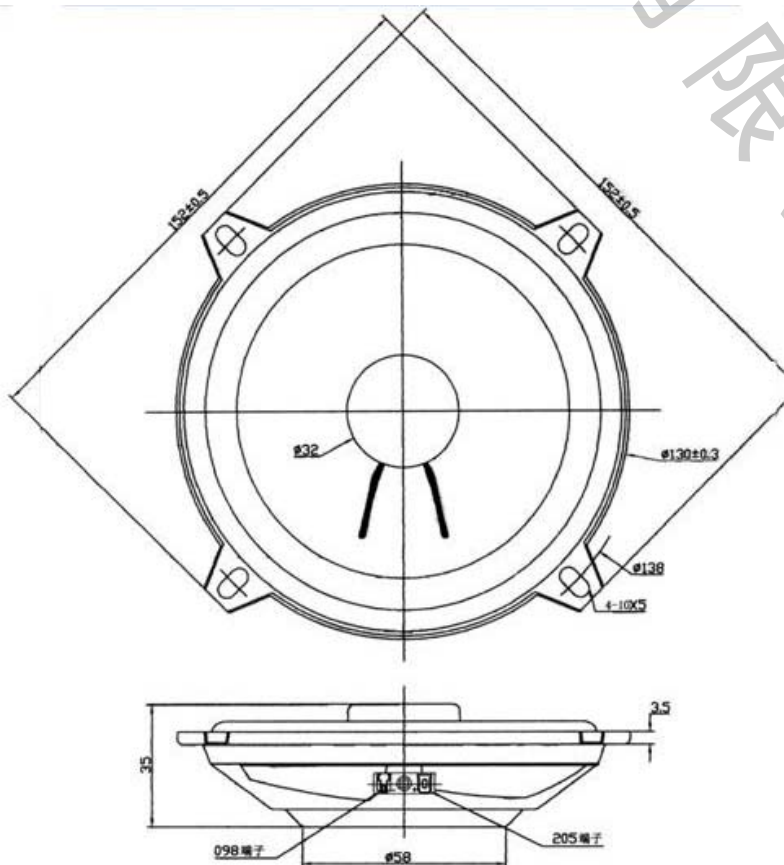
SPEAKER SPECIFICATION

型號 Model Number: HT-5709

項目 Items		規格 Specification			
1	公称阻抗 Nominal Impedance	8Ω±15% at 1000 Hz 1.0v			
2	最低共振周波数 Lowest Resonance Frequency	120 Hz±20%Hz Without a baffle			
3	实效周波数帯域 Effective Frequency Range	F0~7.5KHz -10dB			
4	出力音压 Output Sound Pressure Level	80dB±3dB 1W/1M at (400,600,800,1000)Hz AVE.			
5	入力 Input	定格入力 Rated input	最大入力 Maximum input		
		10 W	15 W		
6	磁束密度 Flux Density	-----±10% GAUSS			
7	异常音试验电压 Buzz & Rattle Test	Must be normal at sine wave 6.32 V			
8	动作试验电压 Operation Test	Must be normal at program source 8.94 V			
9	极性 Polarity	右正極			
10	磁石尺寸/重量 Magnet Dimension/Weigh	Magnet:24.5*6.5H N35	/G		
		Sub Magnet:			
11	连续负荷试验 Life Test	PINKDIN45573 noise 10 W hours	After the Test, Speaker should be meet the Outside and item 7,8		
12	耐热试验 Heat Resistance	55°C±2°C 20%-25%RH 8Hours and then room temperature 1 hours			
13	耐湿试验 Humidity Resistance	40°C±2°C 90%-95%RH 8Hours and then room temperature 1 hours			
14	耐寒试验 Cold Resistance	-25°C±2°C 24Hours and then room temperature 1 hours			
15	落下试验 Drop Test	1M 75°±2°			
16	绝缘耐压试验 Insulation Resistance	Or more 1MΩ 以上			
17	周波数特性 Frequency Response Curve	参照附图 On Other Drawing			
18	失真率 Distortion	5% Less than at 150W 1000Hz			
19	各部 材质	Cone Paper	Silver + Rubber edge		
		Voice Coil	ASV 25 φ		
		Cap	/		
20	总重量 Total Weight	/			
		Size: 5 1/4 試作發行: 2006.09.16	Approve: Arthur	Check: John	Design: LIU



成品圖及照片 Mechanical Dimensions : HT-5709



Seale: 1:1
 Tolerance: ± 0.5
 Unit: mm