



匯統國際股份有限公司  
Huey Tung International Co., Ltd.

# 產品規格書 Specification

[ Model : HT-4163 / 2012.12.20 version ]



**Cara Audio Corporation**

No.69, Lane 762, Dingzhong Road, Sanmin District, Kaohsiung City, Taiwan, ROC.

Tel: 886-7-310 5786 / Fax: 886-7-310 0783

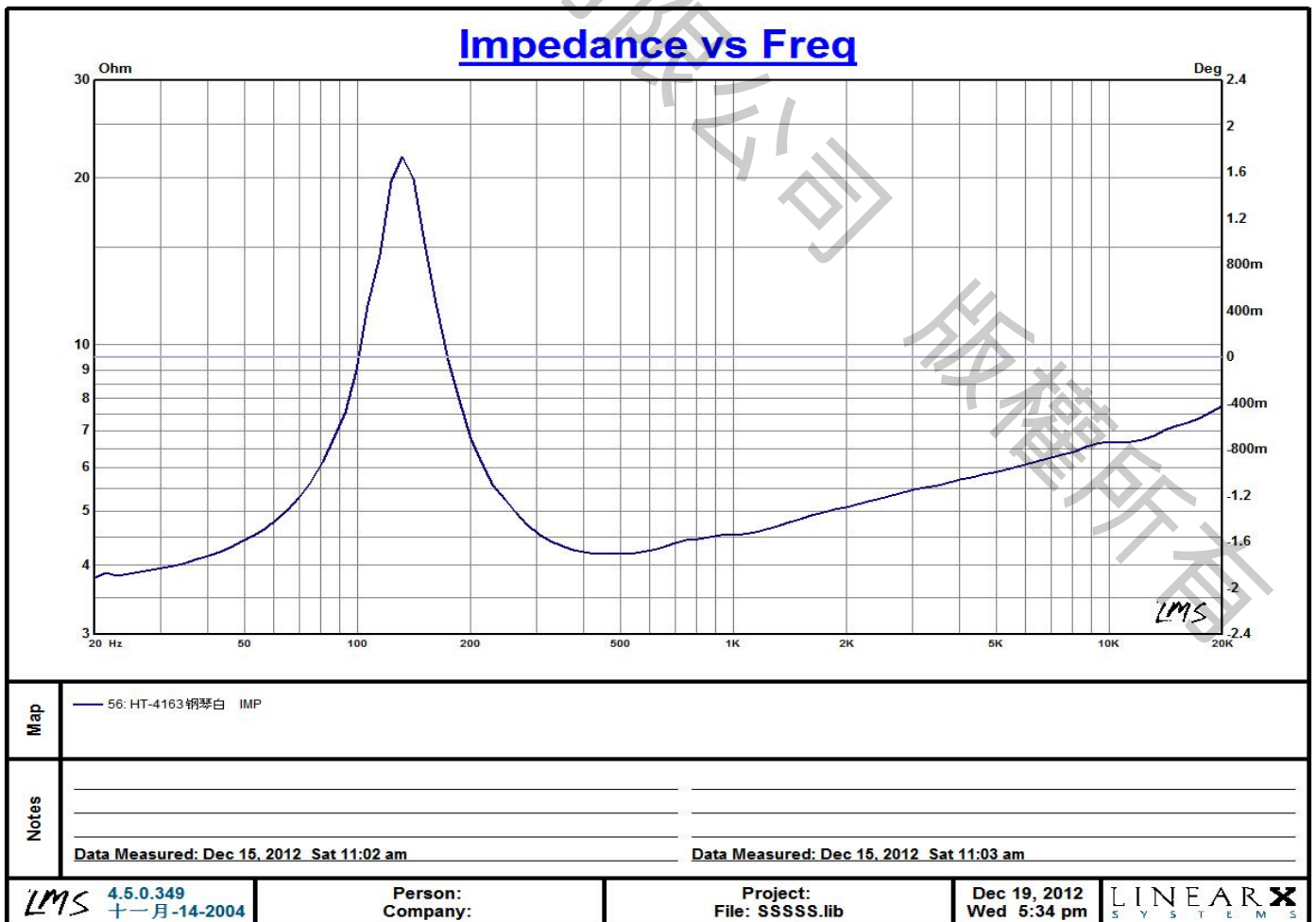
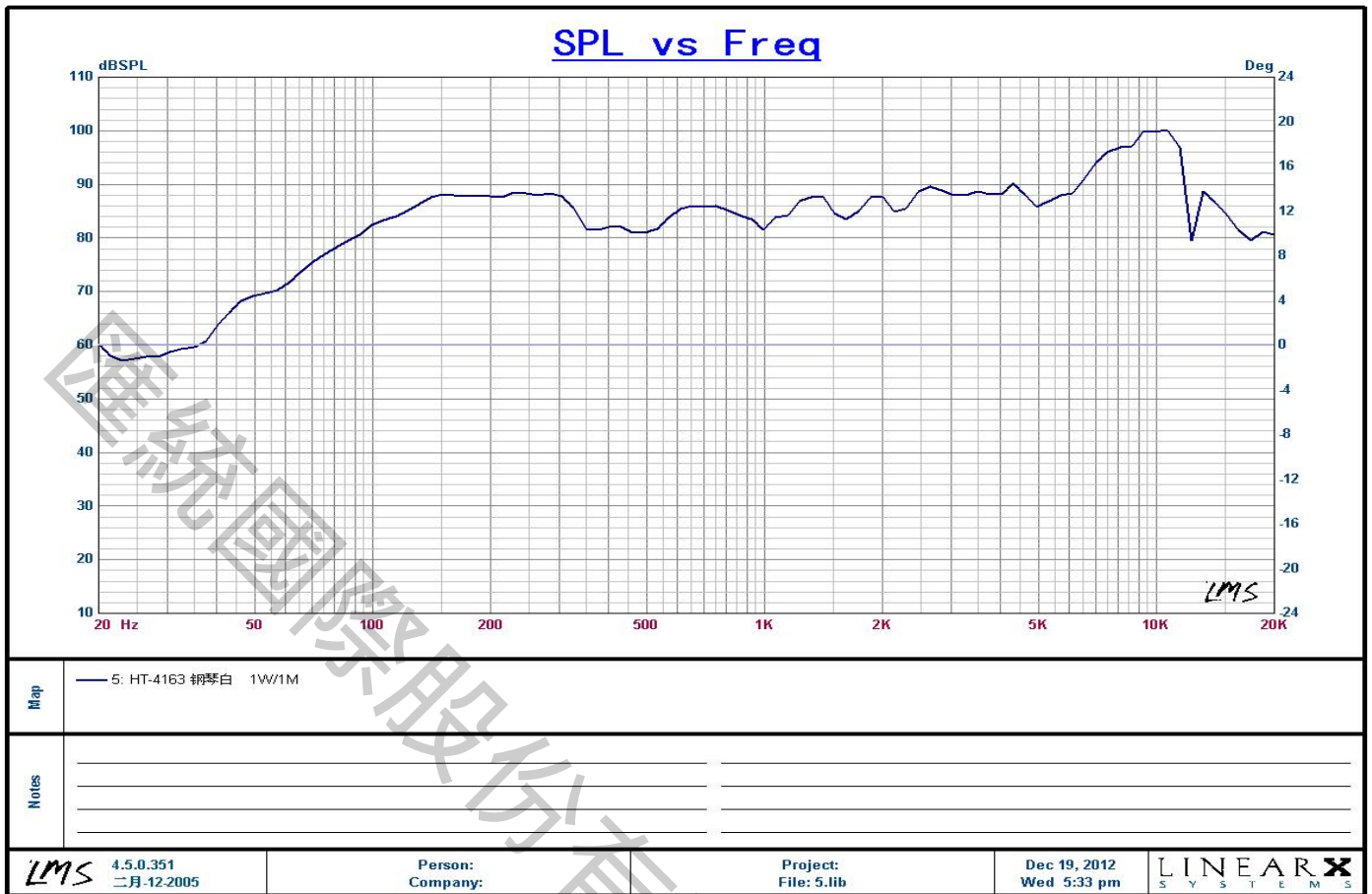
E-mail: [carawang@hueytung.com.tw](mailto:carawang@hueytung.com.tw) / <http://www.hueytung.com.tw>

# 揚聲器製品規格書

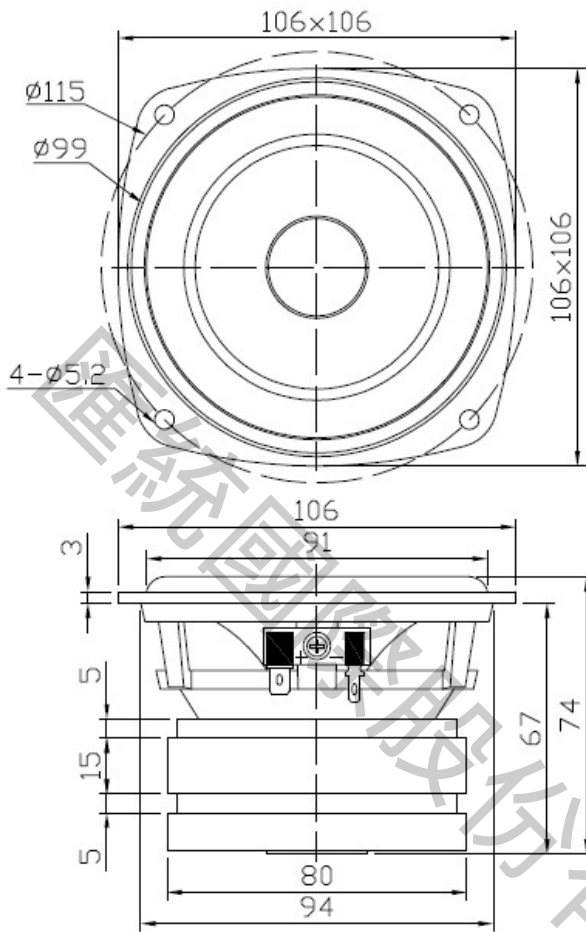
## SPEAKER SPECIFICATION

型號 Model Number: HT-4163

項目 Items		規格 Specification			
1	公称阻抗 Nominal Impedance	4Ω±15% at 500 Hz 1.0v			
2	最低共振周波数 Lowest Resonance Frequency	122 Hz±20%Hz Without a baffle			
3	实效周波数带域 Effective Frequency Range	F0~20KHz -10dB			
4	出力音压 Output Sound Pressure Level	86dB±3dB 1W/M at (600,800,1K,1.2K)Hz AVE.			
5	入力 Input	定格入力 Rated input 30 W	最大入力 Maximum input 60 W		
6	磁束密度 Flux Density	-----±10% GAUSS			
7	异常音试验电压 Buzz & Rattle Test	Must be normal at sine wave 7.75 V			
8	动作试验电压 Operation Test	Must be normal at program source			
9	极性 Polarity	/			
10	磁石尺寸/重量 Magnet Dimension/Weigh	Magnet:80*40*15+80*40*10 Sub Magnet:	/G		
11	连续负荷试验 Life Test	EIA-R426B noise 30 W 8 hours	After the Test, Speaker should be meet the Outside and item 7,8		
12	耐热试验 Heat Resistance	70°C±5°C 30%-35%RH 8Hours and then room temperature 1 hours			
13	耐湿试验 Humidity Resistance	40°C±2°C 90%-95%RH 8Hours and then room temperature 1 hours			
14	耐寒试验 Cold Resistance				
15	落下试验 Drop Test	1M 75°±2°			
16	绝缘耐压试验 Insulation Resistance	Or more 1MΩ 以上			
17	周波数特性 Frequency Response Curve	参照附图 On Other Drawing			
18	失真率 Distortion	/			
19	各部 材质	Cone Paper	Cloth Edge+Paper cone		
		Voice Coil	Kapton+SV		
		Cap	Paper		
20	总重量 Total Weight	/			
		Size: 4" 試作發行: 2012.12.19	Approve: Arthur	Check: John	Design: LIU



成品圖及照片 Mechanical Dimensions : HT-4163



Tolerance:  $\pm 0.5$

Unit: mm

興泰公司 版權所有