



匯統國際股份有限公司

Huey Tung International Co., Ltd.

產品規格書

Specification

[Model : HT-4162 / 2012.11.15 version]



Cara Audio Corporation

No.69, Lane 762, Dingzhong Road, Sanmin District, Kaohsiung City, Taiwan, ROC.

Tel: 886-7-310 5786 / Fax: 886-7-310 0783

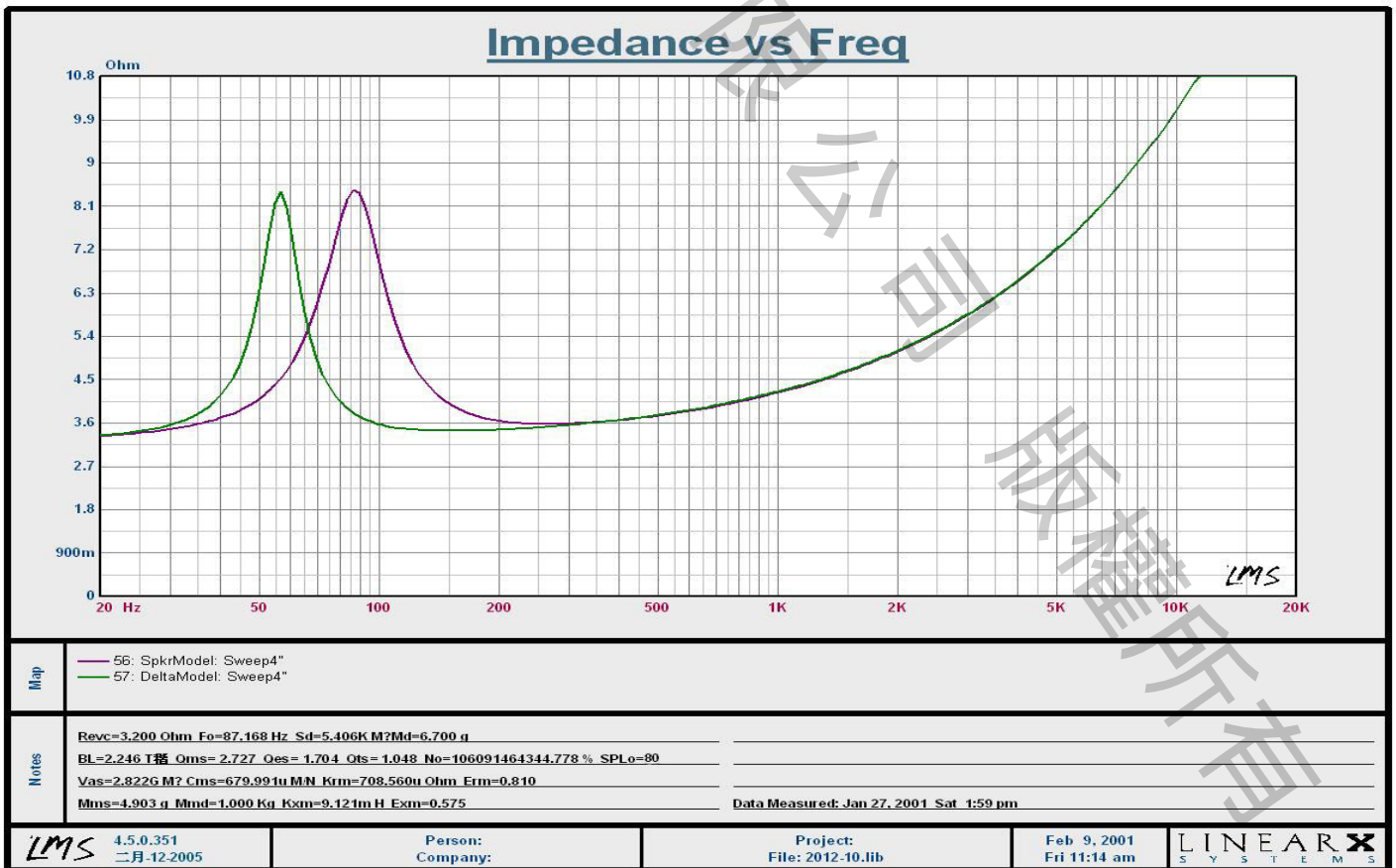
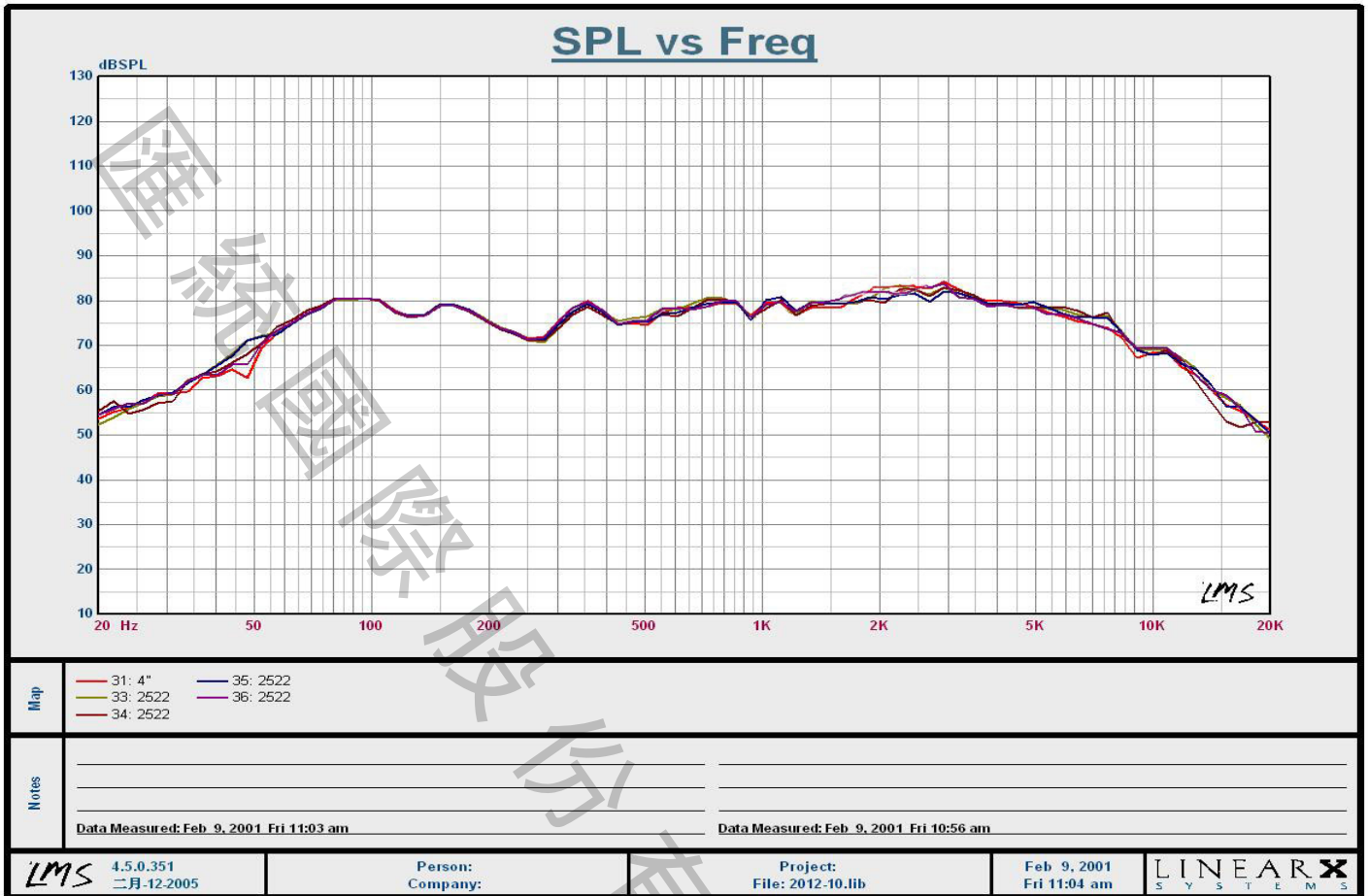
E-mail: carawang@hueytung.com.tw / <http://www.hueytung.com.tw>

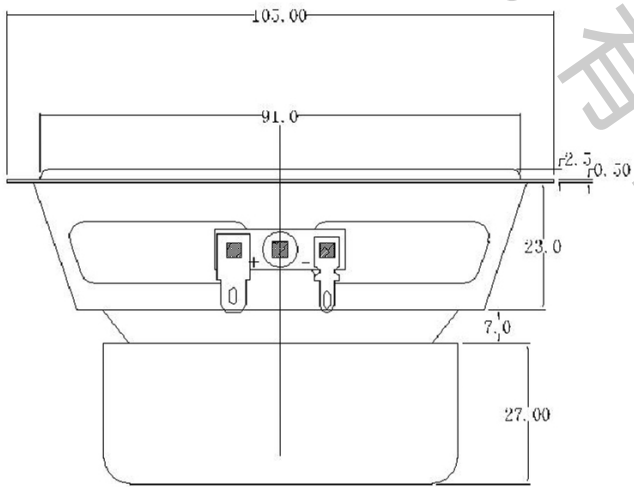
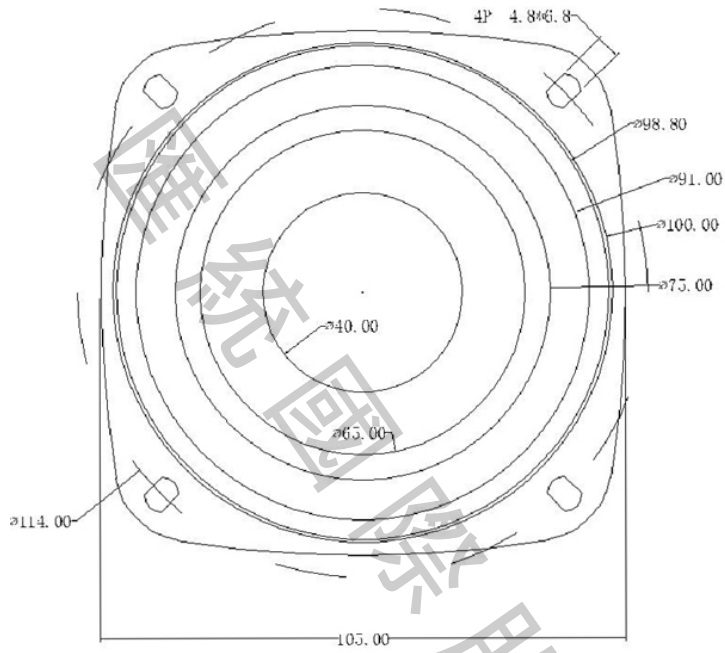
揚聲器製品規格書

SPEAKER SPECIFICATION

型號 Model Number: HT-4162

| 項目 Items | | 規格 Specification | | |
|---|---------------------------------------|--|--------------------------------|---------|
| 1 | 公称阻抗 Nominal Impedance | 3.2Ω±5% | | |
| 2 | 最低共振周波数 Lowest Resonance Frequency | 80 Hz±20%Hz Without a baffle | | |
| 3 | 实效周波数带域 Effective Frequency Range | F0~15KHz -10dB | | |
| 4 | 出力音压 Output Sound Pressure Level | 80dB±3dB 1W/M at 400, 600, 800, 1KHz, AVE. | | |
| 5 | 入力 Input | 定格入力 Rated input 10W | 最大入力 Maximum input 15 W | |
| 6 | 磁束密度 Flux Density | -----±10% GAUSS | | |
| 7 | 异常音试验电压 Buzz & Rattle Test | Must be normal at sine wave 6.3 V | | |
| 8 | 动作试验电压 Operation Test | Must be normal at program source 7.8V | | |
| 9 | 极性 Polarity | 正極+ | | |
| 10 | 磁石尺寸/重量 Magnet Dimension/Weigh | Magnet:60*32*12 Sub Magnet: 50*25*8 | /G | |
| 11 | 连续负荷试验 Life Test | After test meet item 6,7 | PINKDIN45573 10W 96HOURS | |
| 12 | 耐热试验 Heat Resistance | After test meet item 6,7 | 55±2° C 節 20-25% R.H 8HOURS | |
| 13 | 耐湿试验 Humidity Resistance | After test meet item 6,7 | 40±2° C 節 90-95% R.H 8HOURS | |
| 14 | 耐寒试验 Cold Resistance | / | | |
| 15 | 落下试验 Drop Test | 1M 60°±5° | | |
| 16 | 绝缘耐压试验 Insulation Resistance | / | | |
| 17 | 周波数特性 Frequency Response Curve | 参照附图 On Other Drawing | | |
| 18 | 失真率 Distortion | / | | |
| 19 | 各部 材质 | Cone Paper | 黑色泡邊+PP | |
| | | Voice Coil | / | |
| | | Cap | / | |
| 20 | 总重量 Total Weight | 470g±2.0g | | |
|  | Size: 4" | Approve: | Check: | Design: |
| | 試作發行: 2012.11.07 | Arthur | John | LIU |





Tolerance: ± 0.5
Unit:mm