



匯統國際股份有限公司

Huey Tung International Co., Ltd.

# 產品規格書

# Specification

[ Model : HT-4054 / 2013.1.18 version ]



**Cara Audio Corporation**


No.69, Lane 762, Dingzhong Road, Sanmin District, Kaohsiung City, Taiwan, ROC.

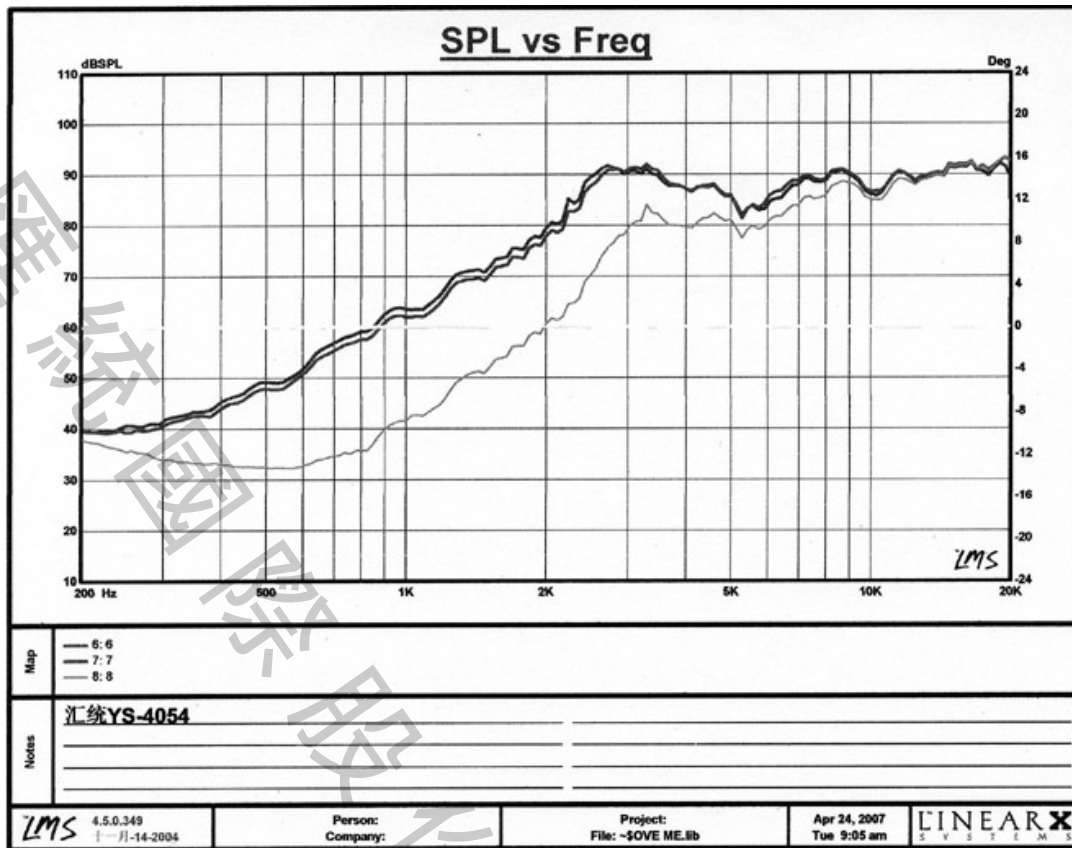
Tel: 886-7-310 5786 / Fax: 886-7-310 0783

E-mail: [carawang@hueytung.com.tw](mailto:carawang@hueytung.com.tw) / <http://www.hueytung.com.tw>

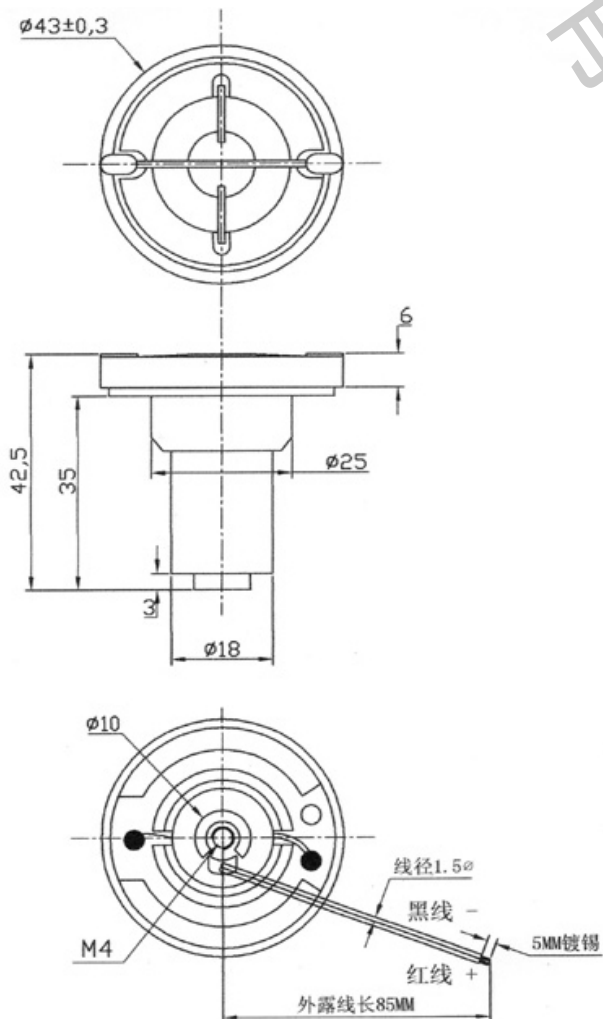
# 揚聲器製品規格書 SPEAKER SPECIFICATION

型號 Model Number: HT-4054

項目 Items		規格 Specification		
1	公称阻抗 Nominal Impedance	4Ω±5% at 3000 Hz 1.0v		
2	最低共振周波数 Lowest Resonance Frequency	3000 Hz±20%Hz Without a baffle		
3	实效周波数带域 Effective Frequency Range	F0~20KHz -10dB		
4	出力音压 Output Sound Pressure Level	88dB±3dB 1W/1M at (3K,5K,7K,9K)Hz AVE.		
5	入力 Input	定格入力 Rated input 10 W	最大入力 Maximum input 20 W	
6	磁束密度 Flux Density	-----±10% GAUSS		
7	异常音试验电压 Buzz & Rattle Test	Must be normal at sine wave 4.47 V		
8	动作试验电压 Operation Test	Must be normal at program source 6.32 V		
9	极性 Polarity	紅線爲正極		
10	磁石尺寸/重量 Magnet Dimension/Weigh	Magnet: 12.5x2 N35 Sub Magnet:	1.8 G	
11	连续负荷试验 Life Test	PinkDin45573 noise 10 W 96 hours	After the Test, Speaker should be meet the Outside and item 7,8	
12	耐热试验 Heat Resistance	70°C±5°C 20%-25%RH 8Hours and then room temperature 1 hours		
13	耐湿试验 Humidity Resistance	40°C±2°C 90%-95%RH 8Hours and then room temperature 1 hours		
14	耐寒试验 Cold Resistance	-25°C±2°C 24Hours and then room temperature 1 hours		
15	落下试验 Drop Test	1M 75°±2°		
16	绝缘耐压试验 Insulation Resistance	Or more 1MΩ 以上		
17	周波数特性 Frequency Response Curve	参照附图 On Other Drawing		
18	失真率 Distortion	5% Less than at 1W 1000Hz		
19	各部 材质	Cone Paper	Titanium PEI	
		Voice Coil	13.28mm	
		Cap	/	
20	总重量 Total Weight	/		
	Size: 43mm	Approve:	Check:	Design:
	試作發行: 2007.04.24	Arthur	John	LIU



成品圖及照片 Mechanical Dimensions : HT-4054



Scale:1:1  
Toerance:  $\pm 0.5$   
Unit:mm