



匯統國際股份有限公司

Huey Tung International Co., Ltd.

產品規格書

Specification

[Model : HT-2359 / 2012.12.13 version]



Cara Audio Corporation

No.69, Lane 762, Dingzhong Road, Sanmin District, Kaohsiung City, Taiwan, ROC.

Tel: 886-7-310 5786 / Fax: 886-7-310 0783

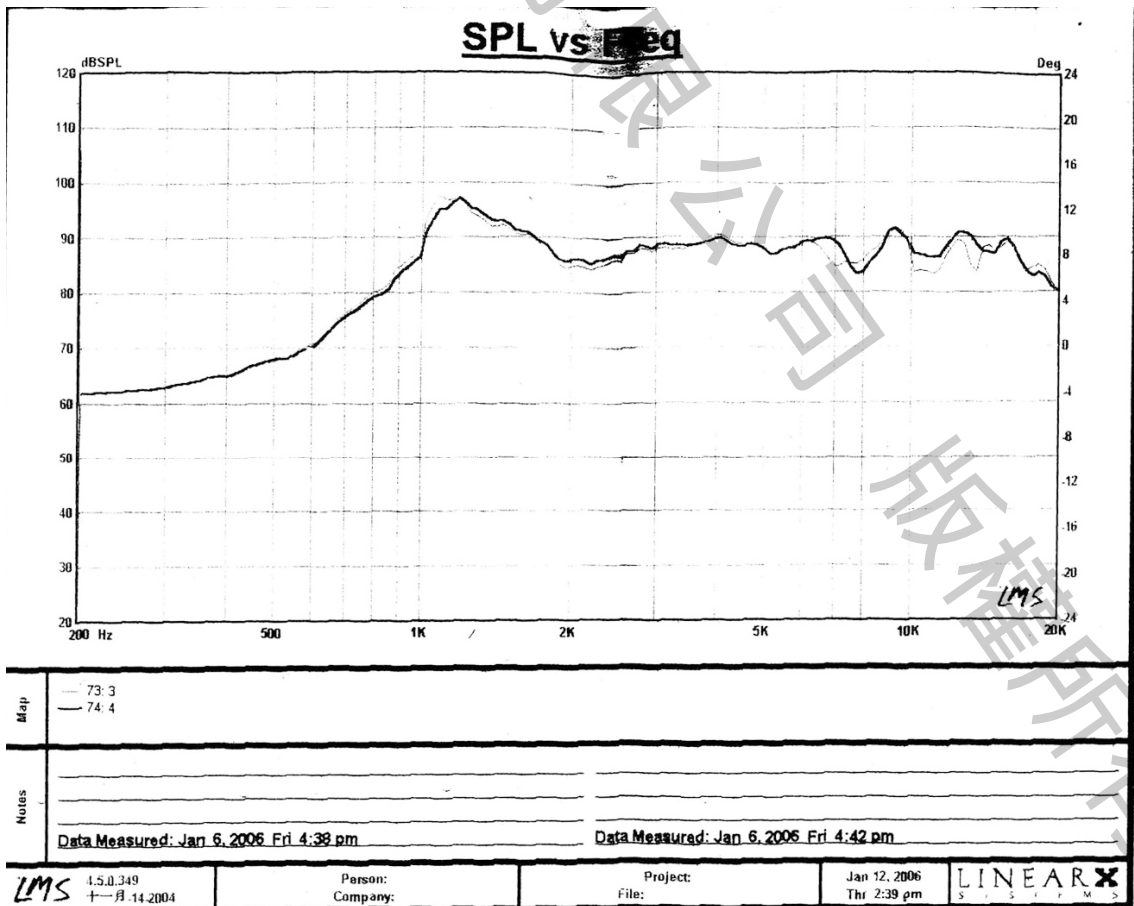
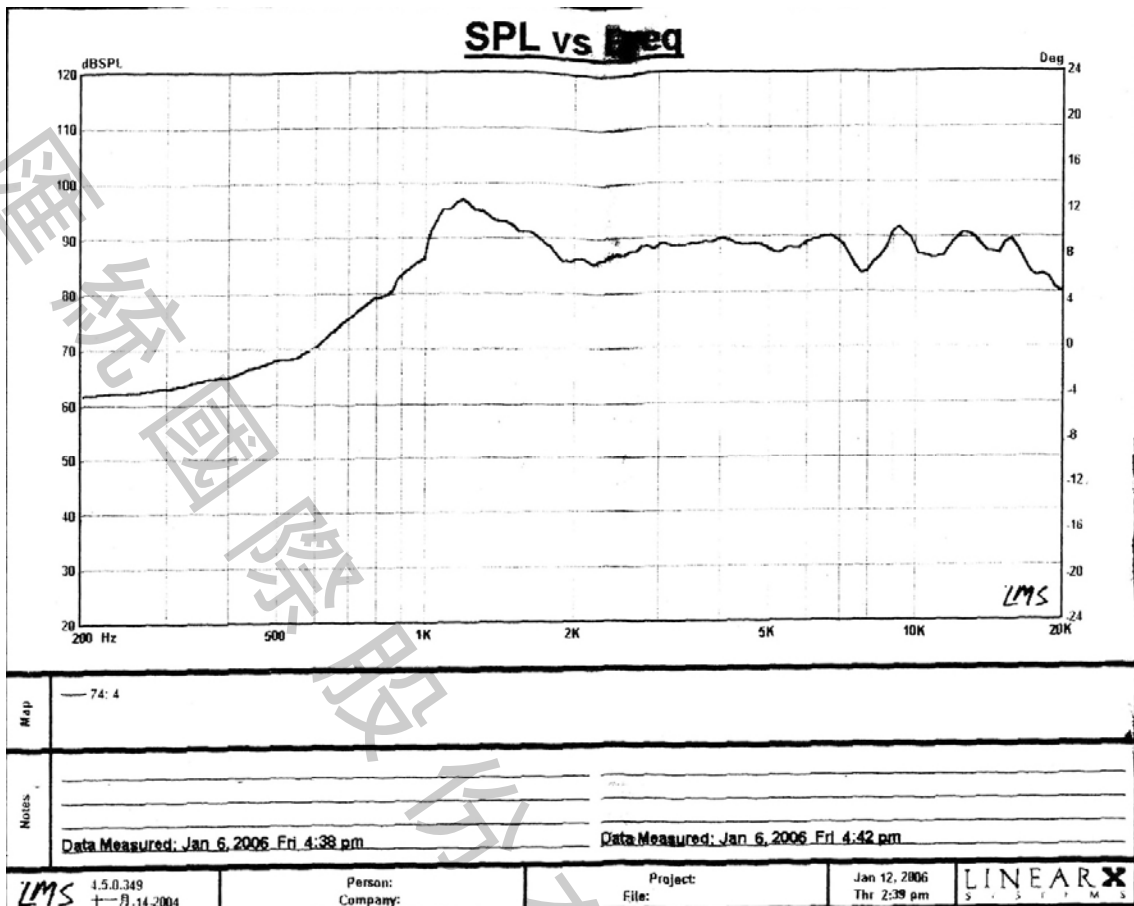
E-mail: carawang@hueytung.com.tw / <http://www.hueytung.com.tw>

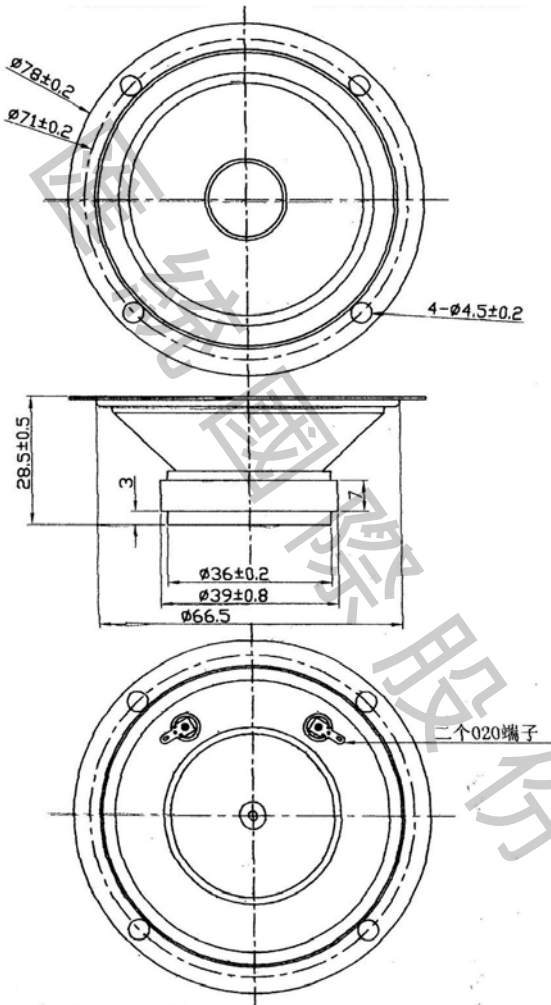
揚聲器製品規格書

SPEAKER SPECIFICATION

型號 Model Number: HT-2359 (60028)

項目 Items		規格 Specification			
1	公称阻抗 Nominal Impedance	7.2±0.2Ω			
2	最低共振周波数 Lowest Resonance Frequency	1300 Hz±20%Hz Without a baffle			
3	实效周波数带域 Effective Frequency Range	F0~15KHz -10dB			
4	出力音压 Output Sound Pressure Level	89dB±3dB 1W/1M at (3K,5K,7K,9K)Hz AVE.			
5	入力 Input	定格入力 Rated input 10 W	最大入力 Maximum input 20 W		
6	磁束密度 Flux Density	-----±10% GAUSS			
7	异常音试验电压 Buzz & Rattle Test	Must be normal at sine wave 6.32 V			
8	动作试验电压 Operation Test	Must be normal at program source 8.94 V			
9	极性 Polarity	/			
10	磁石尺寸/重量 Magnet Dimension/Weigh	Magnet:39*22*7 Y30 Sub Magnet:	27.3 G		
11	连续负荷试验 Life Test	PINK DIN45573 10 W 96 hours			
12	耐热试验 Heat Resistance	55°C±2°C 20%-25%RH 8Hours and then room temperature 1 hours			
13	耐湿试验 Humidity Resistance	40°C±2°C 90%-95%RH 8Hours and then room temperature 1 hours			
14	耐寒试验 Cold Resistance	/			
15	落下试验 Drop Test	1M 75°±2°			
16	绝缘耐压试验 Insulation Resistance	Or more 1MΩ 以上			
17	周波数特性 Frequency Response Curve	参照附图 On Other Drawing			
18	失真率 Distortion	5% MAX			
19	各部 材质	Cone Paper	Black Paper		
		Voice Coil	/		
		Cap	/		
20	总重量 Total Weight	/			
		Size: 2.5" 試作發行: 2010.08.13	Approve: Arthur	Check: John	Design: LIU





Tolerance: 0.5

Unit: mm.